



Industrial Strength Construction

- Corrosion-resistant composites
- No aluminum to bend or corrode
- Break-Away Design



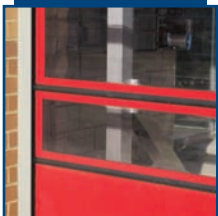
Powerful, Long Lasting Operator

- 25% more power than typical operator
- High duty cycles without additional cooling fans
- Exclusively available at Rytec



Independent Door Controller

- Floor level operation
- Relay logic for easy set-up and troubleshooting



Heavy-Duty Door Panel

- Tough, tear resistant vinyl
- UV and chemical resistant
- Flexible at low temps
- No polycarbonate to crack or cloud



Easy Chain Hoist in Case of Power Failure

- Permits full opening and closing of door in case of power failure
- No weights, ropes or springs required



Expandable for Ancillary Devices

- Additional inputs/outputs standard
- 24VAC power supply requires no additional power supply



UL-Recognized Components

- Meets rigorous safety standards
- Adds third-party testing credibility for compliance and electrical inspections



Easy to Install and Easy to Maintain

- Simple construction for easy installation
- Fewer moving and durable parts means less maintenance



Wynd Star Model MT

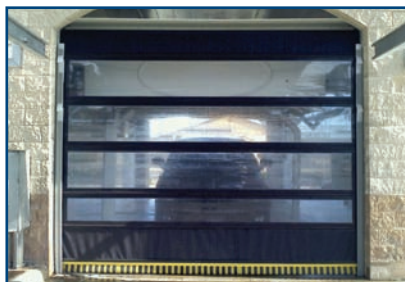
Vinyl Roll-up Car Wash Door

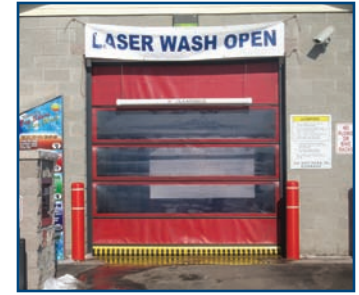
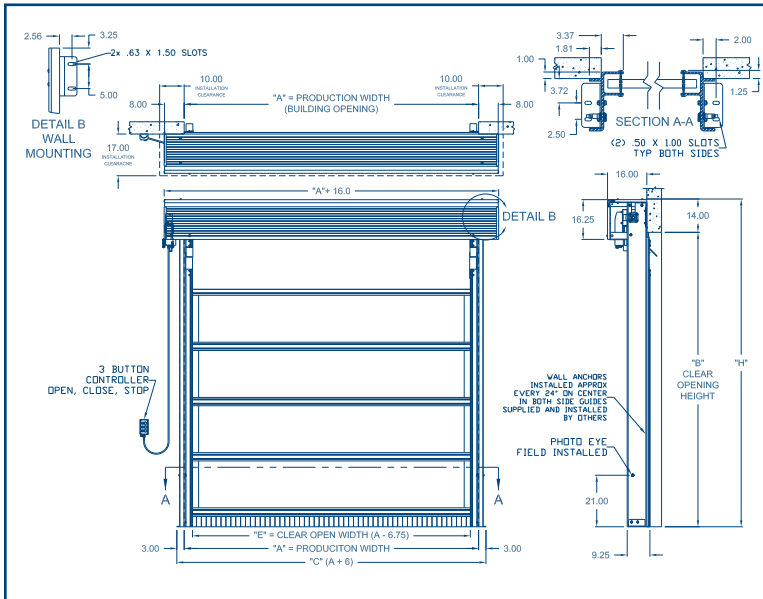
- ✓ Wind Protection
- ✓ Heat Retention
- ✓ Corrosion Resistance
- ✓ Visibility and Light
- ✓ Break-Away™ Design



Simply Better Car Wash Doors

The Wynd Star model MT door was developed specifically for harsh car wash environments. With corrosion-resistant materials and a Break-Away design, it is engineered for high-volume car wash applications that demand low-maintenance doors. The design eliminates pneumatics, cables, springs, hinges, belts, drums, pulleys and other high maintenance parts for years of trouble-free operation.





Specifications

Model:

Wynd Star MT
Vinyl Roll-Up Car Wash Door

Maximum Width: 14'0"

Maximum Height: 12'0"

Electrical Requirements:

3-phase options include 208, 230, 460 or 575 VAC

Construction:

Rigid composite side guides
Flexible plastic bottom edge
Jamb-Wrap design provides a tight seal around the opening

UL Compliance:

UL-recognized operator and controller

Maintenance:

Simple to maintain, easy to clean
All panels and seals replaceable

Operator:

0.60 HP direct drive electric
44.25 ft/lbs torque output
Opens and closes at 20 inches per second
Designed for high-cycle applications

Operator Safety:

Integrated safety brake
Safety run timer

Controller:

NEMA 4X relay logic
3-button station (open/close/stop)
Pre-wired with standard 10 ft cable length for installation
Off-board control panel configuration allows for remote mounting
Additional inputs/outputs and 24 VAC for ancillary devices

Safety:

Soft panel and bottom edge, safety striped edge and photoeyes

Manual Operation:

Open/Close Chain hoist - no crank

Door Panel Design:

Break-Away™ design
After accidental impact the door automatically resets upon next opening

Door Seals:

Replaceable side brush seals
Dynamic "contactless" top seal, won't scratch or wear on the door panel

Other Standard Features:

Protective Roll and Motor Cover
Vision panels
Conveyor cut-outs
Interior or exterior mount
Right hand drive (left hand standard)

Additional Options:

Consult Factory

One-Year Warranty

Panel Colors



Clear Vision Panel



Red (DC-2)



Royal Blue (DC-46)



Black (DC-7)



Green (DC-24)



Yellow (DC-42)



White (DC-6)



Grey (DC-4)



Orange (DC-70)

The color samples provided here may not be exact representations of the vinyl colors. Various factors such as printing, monitor resolution, color settings, and display type can affect how the colors are viewed.

Wynd Star Doors by Rytec

www.wyndstardoors.com

One Cedar Parkway
Jackson, WI 53037

PH: 888-GO-RYTEC • FAX: 262-677-2058



Specifications subject to change © Rytec Corporation LIT.MSFNN