

# SLIMLINE PHARMA

## HIGH PERFORMANCE DOORS



SLIMLINE PHARMA  
HIGH PERFORMANCE DOORS

DESIGNED FOR SMALL TO MEDIUM INTERIOR PHARMACEUTICAL APPLICATIONS

*DYNACO is a unique “patented” concept offering:  
The safest, fastest, best sealing doors, with the  
lowest maintenance cost in the industry.*



**DYNACO**

HIGH PERFORMANCE DOORS

# SLIMLINE PHARMA

Designed for interior pharmaceutical environments

Standard Maximum dimensions: W 12' x H12'

The Slimline Pharma door is designed for interior pharmaceutical environments, in cleanroom class 10,000 to 100,000, providing an aesthetically pleasing appearance, and simplified cleaning procedures for those applications demanding the finest in environmental control. The Slimline Pharma combines our proven control and drive system with our specially modified bead sealing technology, for ultra-smooth, ultra-quiet operation. Incorporating DYNACO's exclusive DYNALOGIX II controls, with a variable frequency drive, provides maximum performance, flexibility and self-diagnostic capabilities which means helping to maintain an optimal pharmaceutical environment. The Slimline Pharma will operate with a difference in pressure of up to 0.82 lbs/sq.ft (winds of 10 MPH indicative, not including any multiplication coefficients, and taking into account the configuration of the building).

## DESCRIPTION

**STANDARD OPERATING SPEED:** Opening speed 48"/sec, closing speed 24"/sec.

**DOOR OPERATION:** Gravity driven with flexible soft bottom edge.

**SIDE GUIDES:** Made of structural channels of 2 1/16" x 1 1/2" x 1/8" in white powder coated steel. (Optional: Stainless steel)

**INNER SIDE GUIDE:** In polyethylene (PE-UHMW 1000); outer section 9/16" x 9/16"

**COVERS:** Side, drum and motor covers in white powder coated steel. (Optional: Stainless steel)

**DRUM:** In steel, diameter 4" x 0.078", shafts in steel.

**DOOR CURTAIN:** In reinforced PVC (27oz/sq.yd) and continuous sealing bead, with flexible weighted soft bottom edge design. Available in different colors.

**VISION:** One vision banner 15" x door width or individual windows 24" x 24" optional.

**MOTOR:** Standard 1 HP at 208V, 230V or 460V. Motor is VFD driven, Nema 4, 2 poles without brake.

**GEARBOX:** Size 50 for a motor of 1 HP and gear reduction ratio 1/28

**DOOR POSITIONING:** Absolute encoder mounted onto the back of the motor.

**DETECTORS:** An infrared photocell installed inside the side guide and detects the presence of a pedestrian or a vehicle. Upon activation, it opens the door immediately and keeps it open as long as the presence is detected. Height of photocell: 12" from the floor. (Optional: Up to maximum 24" from the floor).

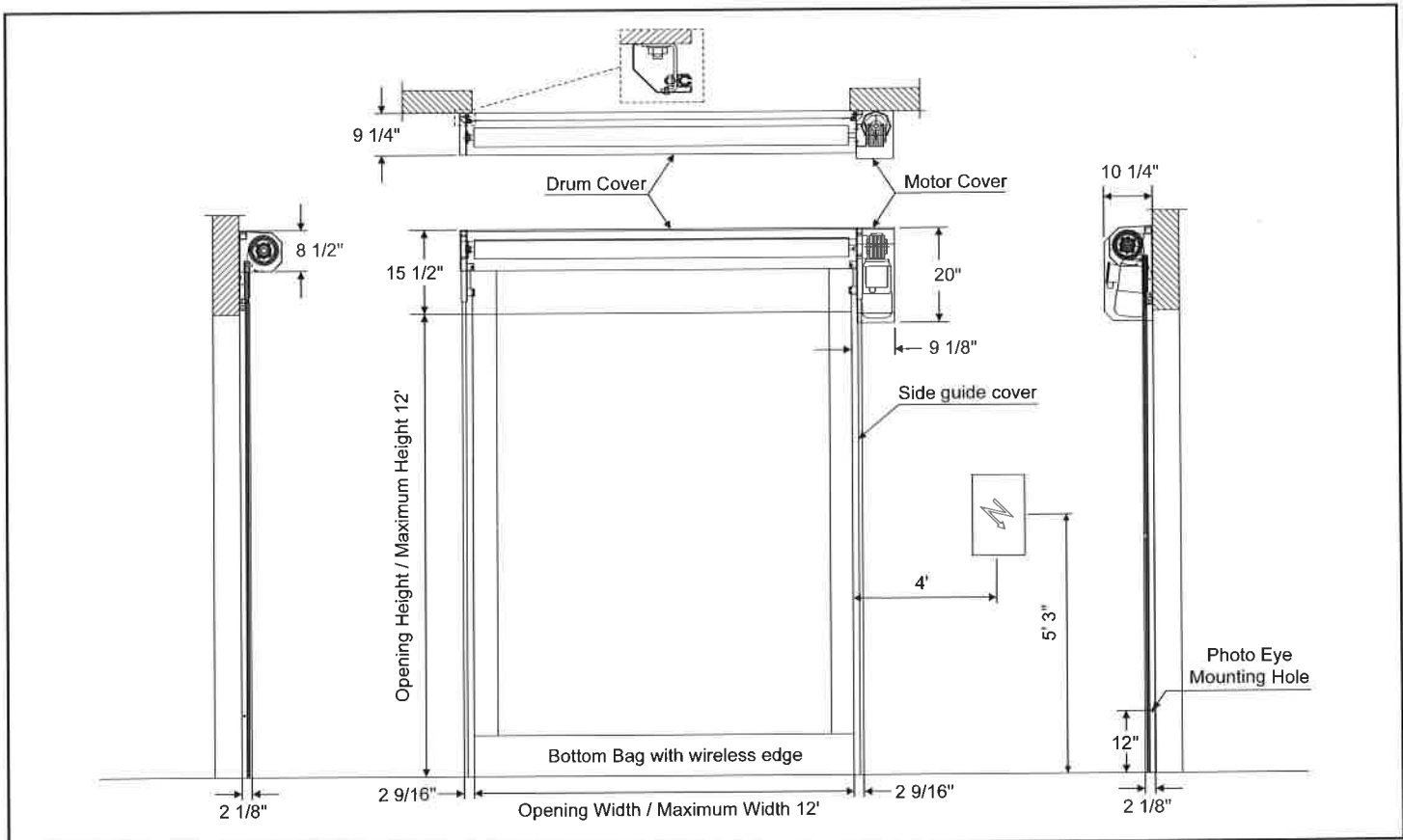
A bottom edge detector reverses the door when it hits an obstacle during the closing cycle. This detector is positioned at the bottom part of the curtain.

The bottom edge is referred to as a WDD or Wireless DYNACO Detector: A wireless detection system consisting of a transmitter in the bottom bag of the door and a receiver in the

control box. The system operates according to the "open loop" principle: when the sensor encounters an obstacle, the transmitter leaves the standby mode and sends a signal to the receiver that immediately opens the door.

**POWER SUPPLY:** Standard single phase 208-230 VAC; three phase 208-230 VAC; three phase 460 VAC. Frequency: 50-60 Hz. Circuit breakers to be provided by the customer: 10-20A for 1HP.

**SPACE REQUIREMENTS:** All indicated dimensions are net: the additional space necessary for mounting and maintenance has to be taken into account. Reduced dimensions upon request.



Within the framework of its policy of continuous development of its products, DYNACO reserves the right to modify the characteristics of its products and parts without prior notice.

**DYNACO. THE SAFEST CHOICE**



Call DYNACO for additional information • P: 1-800-459-1930 • F: 1-800-459-1960 • Email: [dynaco@dynacodoor.us](mailto:dynaco@dynacodoor.us) • [www.dynacodoor.us](http://www.dynacodoor.us)