

SPIRAL[®] LH[®]

HIGH PERFORMANCE LOW HEADROOM ROLLING DOOR

High Security, High Speed, Designed for Applications with Low Headroom

With an opening speed of up to 60 inches per second, the Spiral Low Headroom (LH) door offers the speed you need for high-traffic situations while meeting the low headroom requirements of parking garages and other commercial structures. Rigid, aluminum slat construction eliminates any need for a second overnight security door and the rubber weatherseal provides a tight seal.

Crisp lines give the Spiral LH door a stylish look that's great for all kinds of parking and other commercial, institutional and residential applications. Because its anodized aluminum slats will not corrode, you can count on that look to last for many years even under the worst weather conditions.

High Security - Rigid, aluminum slat construction and optional, integral locking system provides unparalleled security.

Low Headroom - The low lintel design requires only 11 inches of headroom clearance.

Whisper Quiet - The unique Spiral roll-up design features no metal-to-metal contact, therefore offering whisper-quiet operation.

High Performance - The variable speed AC Drive system with soft acceleration and braking smooths out routine stops and starts, virtually eliminating the clunking gear engagements associated with typical overhead door operation.

Energy Efficient and Tight Seal - Aluminum slats, along with a durable rubber membrane which covers their aluminum connecting hinges, provide a 100% seal against dust pollution, drafts, and inclement weather. Optional insulation simply adds to the energy savings.



SPIRAL[®] LH[®]

HIGH PERFORMANCE LOW HEADROOM ROLLING DOOR

Model Name

- Rytec[®] Spiral[®] LH[®] Door

Size and Dimensions

- Up to 19'8"W x 16'4"H
- Multiple door configurations based on door size.

Safety

- Thru-beam photo eyes
- Control-reliable electronic reversing edge

Available Options

- Vision slats
- Insulated slats
- Ventilated slats

Warranty

- Five-year limited warranty on mechanical components.
- Two-year limited warranty on electrical components.

Architectural Styling

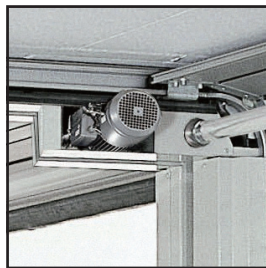


Shown with optional vision slats

- Double walled aluminum slats are 6 inches high with an integral weatherseal between each panel.
- Slats are available in anodized aluminum or optional custom paint colors.

Unique Track Design

- Special track design allows you to fit the low headroom door in areas with as little as 11 inches of clearance above door opening.
- Compact, variable speed motor with soft acceleration and deceleration and braking for smooth starts and stops.

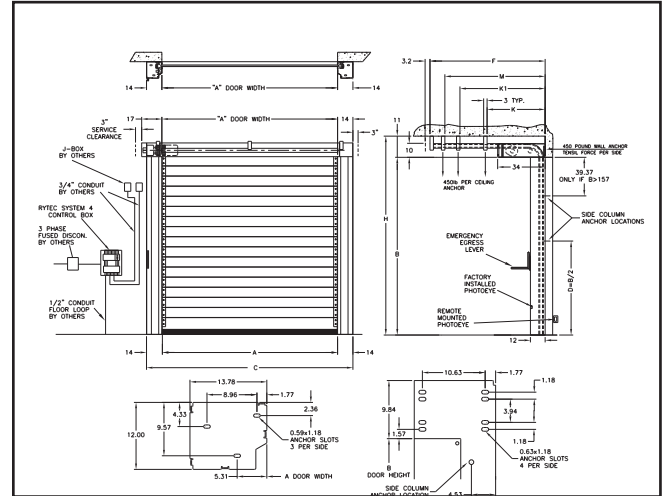


Electrical Controls



System 4 shown with optional rotary disconnect

- System 4™ controller housed in a NEMA 4X rated enclosure with factory set parameters.
- Intelligent processor monitors and controls power consumption.
- Advanced self-diagnostics for troubleshooting.



Panel Design

- Integral rubber weatherseal between the slats provides a tight weatherseal across the entire panel.
- Rubber weatherseal is replaceable for easy maintenance.
- Patented hinge design allows for removal and replacement of single slat without disassembling the door panel.



Integral rubber weatherseal

Counterbalance System

- Up to six extension springs in each side column, depending on the size of the door.
- The springs assist the motor in opening, reducing motor wear and increasing the longevity of mechanical components.
- Mechanical egress lever on the side column allows the door to be opened in the event of a power failure.

Travel Speed

- Opens at up to 60 inches per second.



888-GO-RYTEC RytecDoors.com
Tel 262-677-9046 Fax 262-677-2058
One Cedar Parkway Jackson, WI 53037-0403