

PLEXLINE™

HIGH PERFORMANCE COMPOSITE ROLLING DOOR

Advanced Composites for Advanced Form and Function

Combining the high performance of composite materials with all the benefits of Rytec high speed doors, the Plexline door series offers advanced form and advanced function.

The Plexline series is designed for interior applications where durability, speed and visual impact are paramount. Engineered for the rigors of high traffic applications, it's fast, it's safe, and it can take a hit. The fiberglass composite material offers strength, long-life and cleanability. The pneumatic reversing edge, thru-beam photo eyes and an optional counterweighted manual brake release ensure safety. The understated architecture and soft lines contribute to a sleek, contemporary design.

Whether it's for a pharmaceutical or food facility, or an industrial application, the high performance Plexline series offers the high aesthetics and durability of stainless steel at a remarkably low price.



Strong and Durable Composite - Advanced composite materials are corrosion-resistant, chemical-resistant, and more impact-resistant than stainless steel.

Fast - The direct-drive motor opens the door at up to 50 inches per second for improved traffic flow, productivity and energy conservation.

Sleek Design - Smooth lines and a curvilinear structure create a sleek, modern appearance that is easy to clean. Side columns have a soft blended finish with highlights to mimic stainless steel. Optional integrated, ABS plastic hood features a lightly textured surface.

Safe - Full-width vision panel, two sets of thru-beam photo eyes and a pneumatic, dual-chamber, safety reversing edge are standard. Optional counterweighted brake release opens the door in the event of power loss.

Full Perimeter Seal - Edge-to-edge brush seal at the top. Two brushes in each side column seal against both sides of the door panel. Soft and pliable vinyl loop along the floor completes the seal.

Takes a Hit and Resets - Quick-Set™ repair system permits the operator to reset the door with a push of a button after aligning the bottom bar.

Stainless Steel Alternative - The color palette combined with the composite material offer the comparable aesthetics and durability of stainless steel - all at an economical price.



PLEXLINE™

HIGH PERFORMANCE COMPOSITE ROLLING DOOR

Model Name

- Rytec® Plexline™ Door

Size and Dimensions

- Up to 16'W x 16'H
- 7" side column projection
- 24" headroom above lintel
- 15" head projection
- 11" side clearance, non-drive
- 19" side clearance, motor side
- Left or right hand motor placement

Safety

- Thru-beam photo eyes
- Ry-Wi™ wireless system
- Pathwatch™ safety light system
- Dual-chamber pneumatic reversing edge

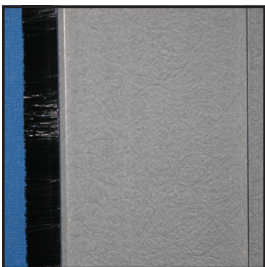
Available Options

- Fiberglass windribs
- Vinyl weatherseals
- Composite hood and motor cover
- Counterweighted egress system

Warranty

- Two-year limited warranty on mechanical and electrical components.
- Three-year limited warranty on 2-ply Rilon™ panel material.

Side Columns



- Fiberglass composite side frames with two full-height brush seals in each side.
- Hollow chase way allows for additional wiring and optional counterweighted egress system.
- Composite materials offers the cleanability and durability of stainless steel.

Door Panel

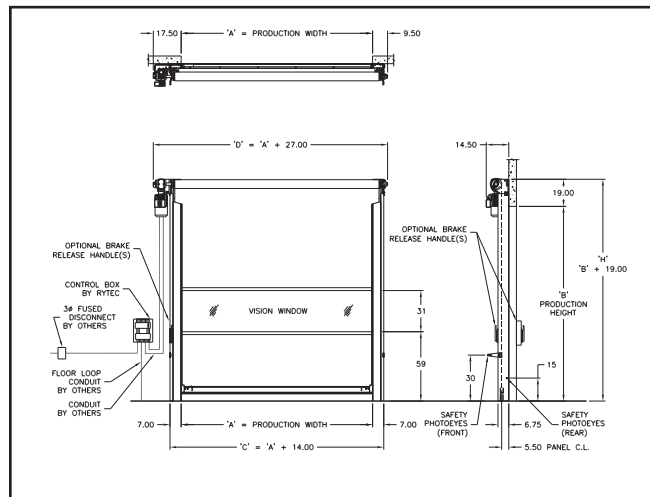
- Standard 2-ply replaceable vinyl sections with wind ribs and full-width replaceable vision panel.
- Optional 3-ply Rilon™, USDA-compliant material, and screen material.

Electrical Controls



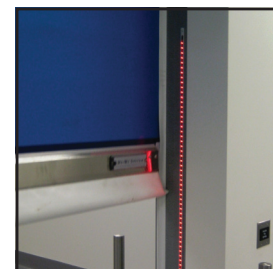
System 4 shown with optional rotary disconnect

- System 4™ controller housed in a NEMA 4X rated enclosure with factory set parameters.
- Intelligent processor monitors and controls power consumption.
- Advanced self-diagnostics for troubleshooting.



Break-Away/Resetting System

- The bottom bar releases in either direction without damage to the door when impacted.
- Standard dual cutoff switches shut off the motor when impacted.
- With the push of a button the Quick-Set™ repair system automatically resets the door after the user aligns the bottom bar.



Shown with optional stainless steel bottom bar and vinyl seals

Tight Seal



Vinyl loop provide a tight seal

- Front and rear full-height seals in each side column seal against both sides of the panel.
- Bottom loop forms a tight seal on the floor.
- Top seal completes the full perimeter seal.

Travel Speed

- Opens at up to 50-inches per second.



888-GO-RYTEC RytecDoors.com
Tel 262-677-9046 Fax 262-677-2058
One Cedar Parkway Jackson, WI 53037-0403